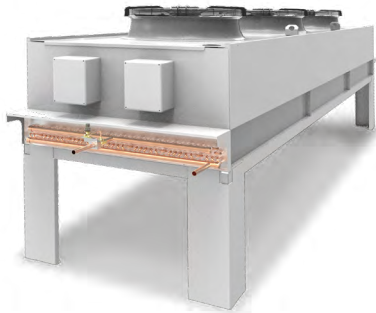
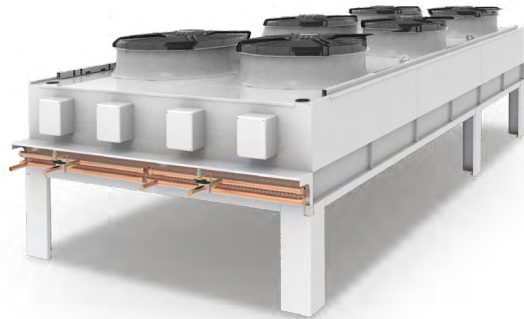


NEW

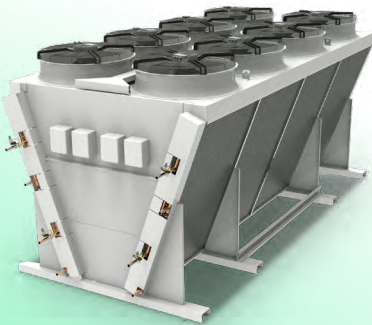
CO₂ Gas coolers 130 bar



Soprano® CO₂



Alto™ CO₂



Tenor® CO₂



Centrifugal Tenor® CO₂

Soprano® CO ₂	3–300 kW
Alto™ CO ₂	23–840 kW
Tenor® CO ₂	64–1208 kW
Centrifugal Tenor® CO ₂	3,3–92 kW

Brochures



CO₂ Gas coolers 130 bar features & options

Benefits:

- Improved system performance and capacity at higher ambient air T°C (Around +20%)*
- Aligned with maximum pressure and temperature of our racks

Standard features:

- Variable speed EC fan
- Robust casing
- Repair switch per fan
- 2 fans versions (standard or low noise)


Options:

- Modbus control
- Anticorrosion protections
- Adiabatic cooling
- Emergency stop button

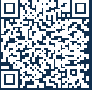
*@-8°C/45°C, depending on compressor type



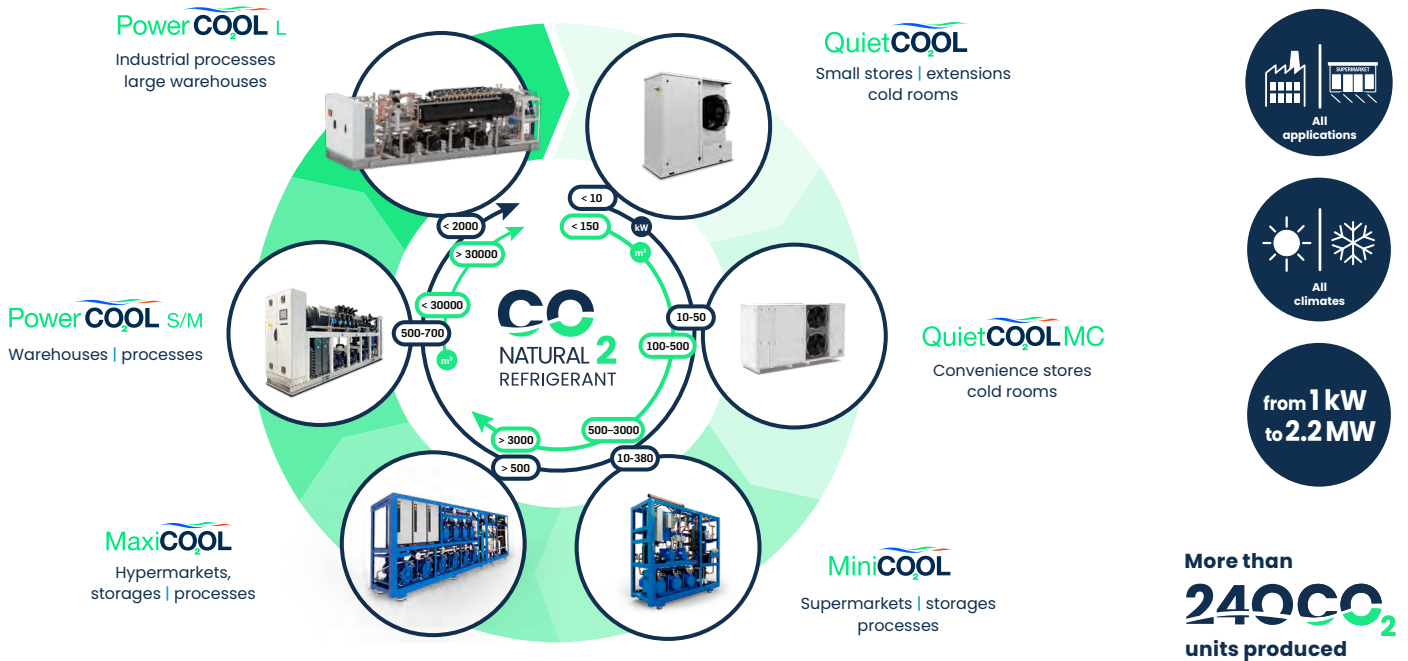
	Soprano® CO ₂	Alto™ CO ₂	Tenor® CO ₂	Centrifugal Tenor® CO ₂
No. of fans	1 - 6	1 - 10	2 - 16	1 - 3
Capacity	7 - 300 kW	23 - 840 kW	64 - 1208 kW	3,3 - 92 kW
Configuration	Standard	Standard	V-shape	V-shape
Air flow	Vertical or Horizontal	Vertical or Horizontal	Vertical	Vertical or Horizontal
Installation location	Outdoor	Outdoor	Outdoor	Indoor



Use our CSS tool
to size your CO₂ Gas Cooler!



Welcome to the Climate Control Revolution



CCR reserves the right to change certain information and specifications contained in this document at any time and without prior notice. Since standards, specifications and designs are subject to occasional change, please ask for confirmation of the information given in this publication.

www.ccr.com

